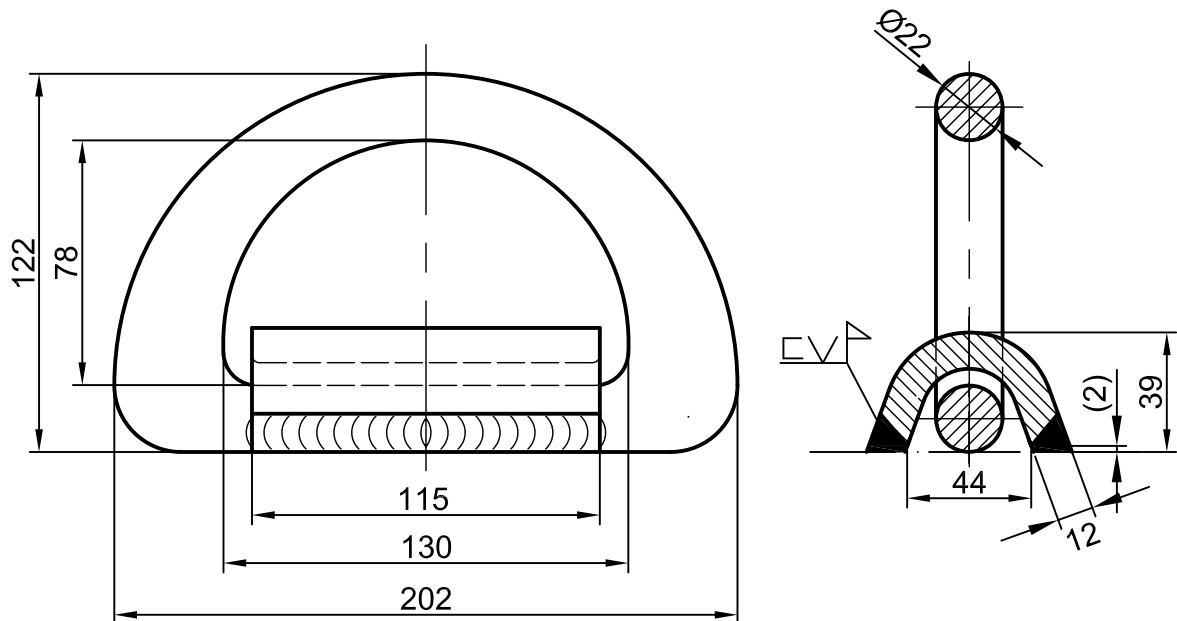


## BL 36 Ton Type DR-1/36



### Specifications:

Classification: All items are approved by major classification societies

Materials: Forged & high tensile steel

Finish: Hot dip galvanized & painted

Remark: Other dimensions, materials and finish upon request

| MODEL NO. | B.L.  | WEIGHT |
|-----------|-------|--------|
| DR-1/36   | 353KN | 2.7KG  |