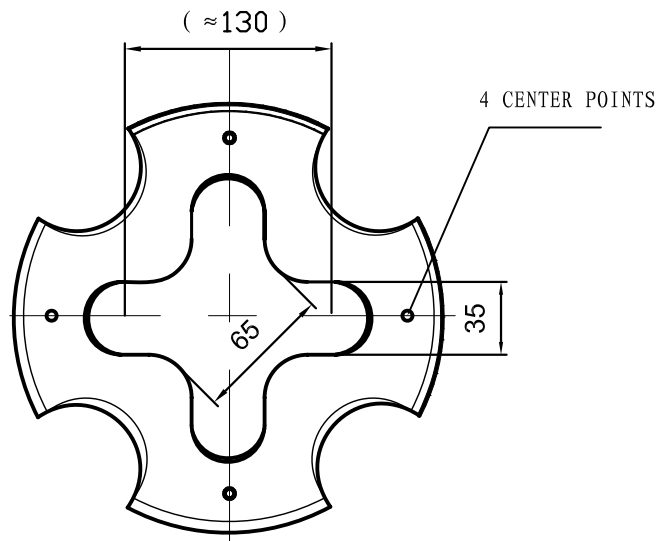
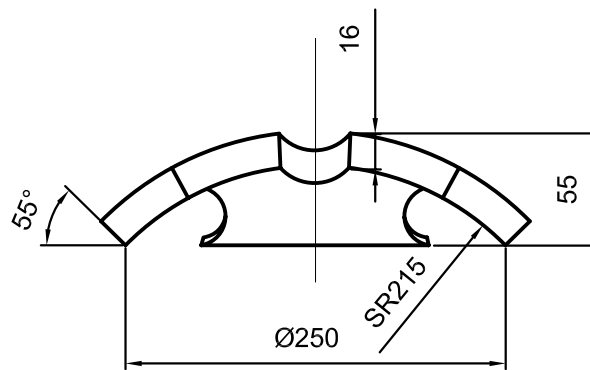


Raised Cloverleaf type FL-1



Specifications:

Classification: All items are approved by major classification societies

Materials: Mild steel

Finish: Primer

Remark: Other dimensions, materials and finish upon request

MODEL NO.	B.L.	WEIGHT
FL-1	200KN	4.7kg