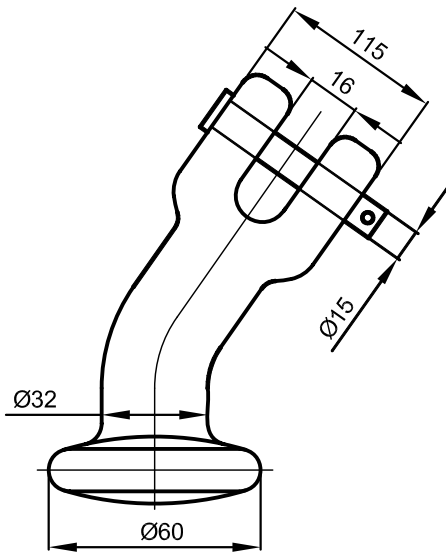
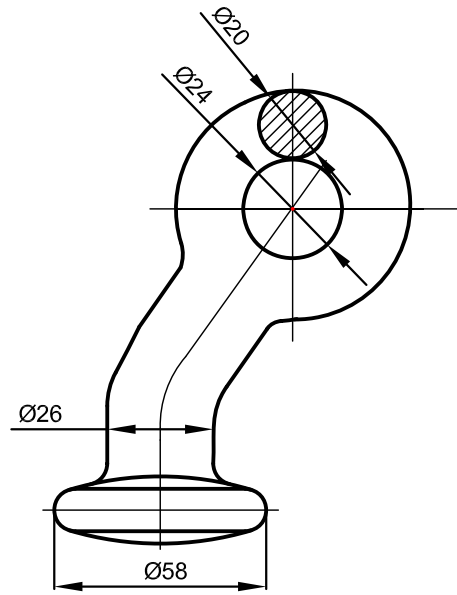


Jaw type S-13



Eye type S-13E



Specifications:

Classification: All items are approved by major classification societies

Materials: Forged & high tensile steel

Finish: Painted

Remark: Other dimensions, materials and finish upon request

MODEL NO.	B.L.	WEIGHT
S-13	200KN	1.1kg
S-13E		0.8kg