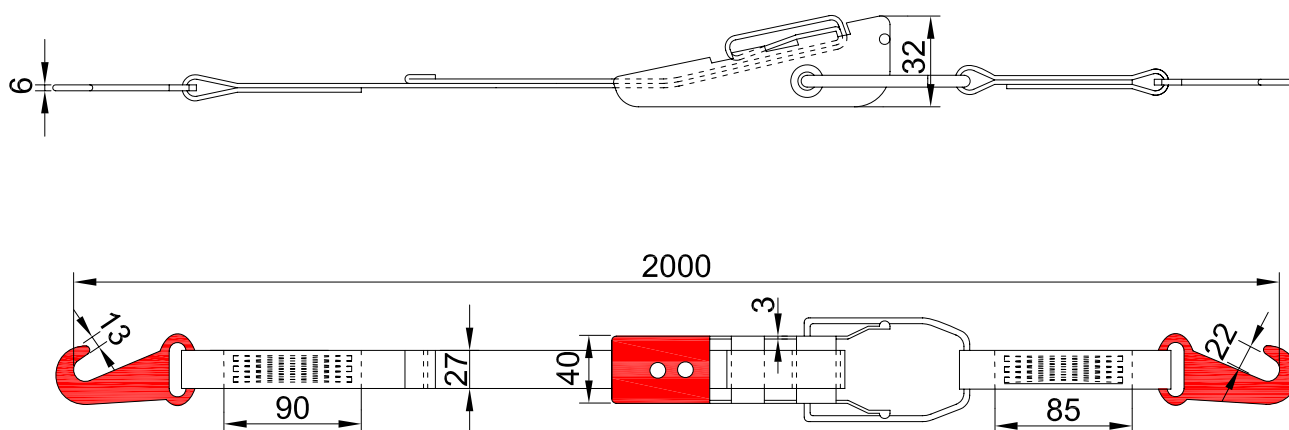


Hook - hook type CW-2



Specifications:

Classification: All items are approved by major classification societies

Materials: Polyester, steel and metal parts covered with PVC

Remark: Other lengths, materials and finish upon request

MODEL NO.	MSL	B.L	WEIGHT
CW-2	10kN	20KN	0.7KG