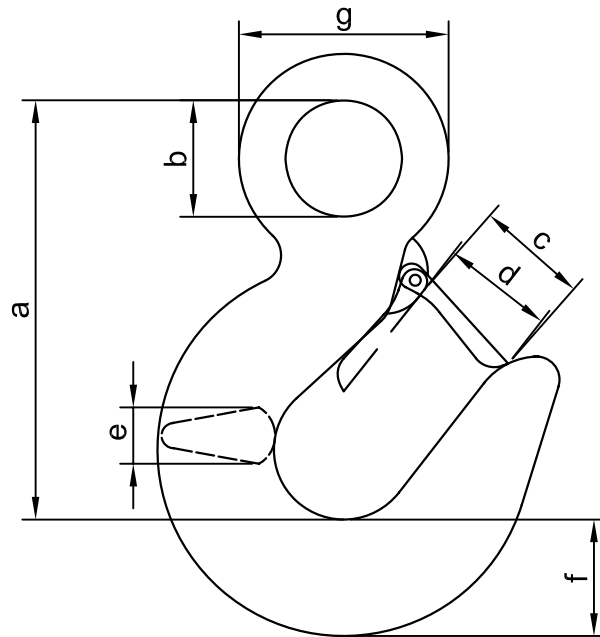


S320A



Safety factor: MBL equals 4 x WLL

Materials: Alloy steel

Standard: Generally to EN 1677-2

Finish: Painted red galvanized or self-coloured

a(mm)	b(mm)	c(mm)	d(mm)	e(mm)	f(mm)	g(mm)	weight(kg)	s.w.l(T)
82	19	24	20	15	20	38	0.27	1.25
93	25	26	22	18	22	45	0.4	1.6
103	28	27	23	20	27	52	0.55	2.5
120	32	32	27	23	30	60	0.83	3.2
147	40	41	35	29	38	74	1.9	5.4
187	51	51	43	37	46	97	3.5	8
230	64	64	53	46	58	122	6.9	11.5
256	72	72	58	58	66	136	10.5	16
318	90	90	78	63	77	168	17.5	22