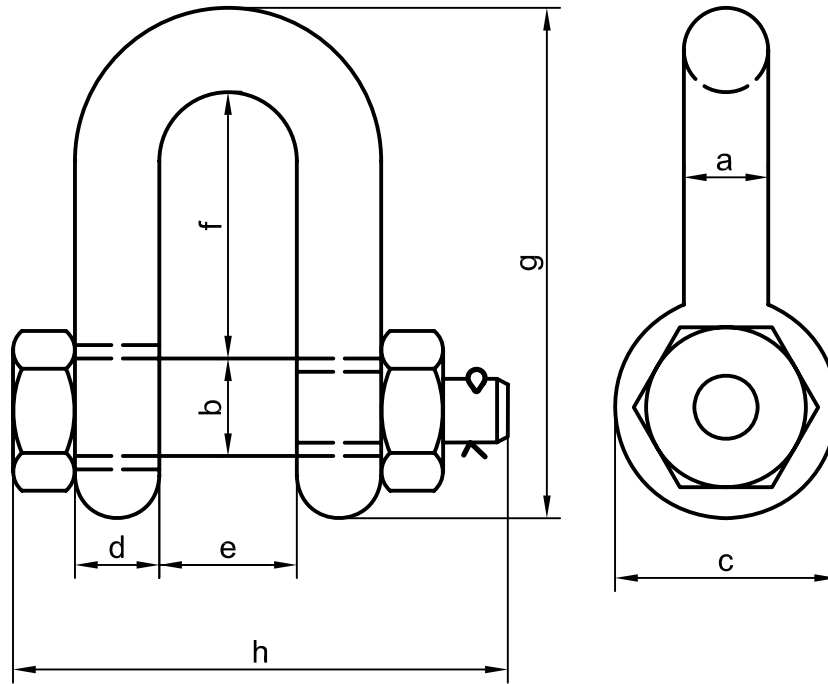


G-2150



Safety Factor:BL equals 6xSWL

Standard:US Fed. Spec.RR-C-271 Type IVA Class 3,Grade A

Finish:Hot dipped galvanized

a(mm)	b(mm)	c(mm)	d(mm)	e(mm)	f(mm)	g(mm)	h(mm)	weight(kg)	S.W.L(T)
13.5	16	34	13.5	22	43	85	76	0.32	2
16	19	40	16	27	51	105	93	0.54	3.25
19	22	47	19	31	59	125	107	0.87	4.75
22	25	53	22	36	73	144	123	1.34	6.5
25	28	60	25	43	85	161	141	2.08	8.5
28	32	67	28	47	90	179	158	2.77	9.5
32	35	74	32	51	94	199	176	3.72	12
35	38	80	35	57	115	220	192	5.14	13.5
38	42	89	38	60	127	239	208	6.85	17
45	50	104	45	74	149	283	250	11.45	25
50	57	119	50	83	171	333	281	16	35
65	70	145	65	105	203	399	255	32.65	55
75	83	163	75	127	229	455	376	52.97	85
90	94	200	90	132	357	615	445	110	120
100	106	225	100	137	362	642	480	142	150