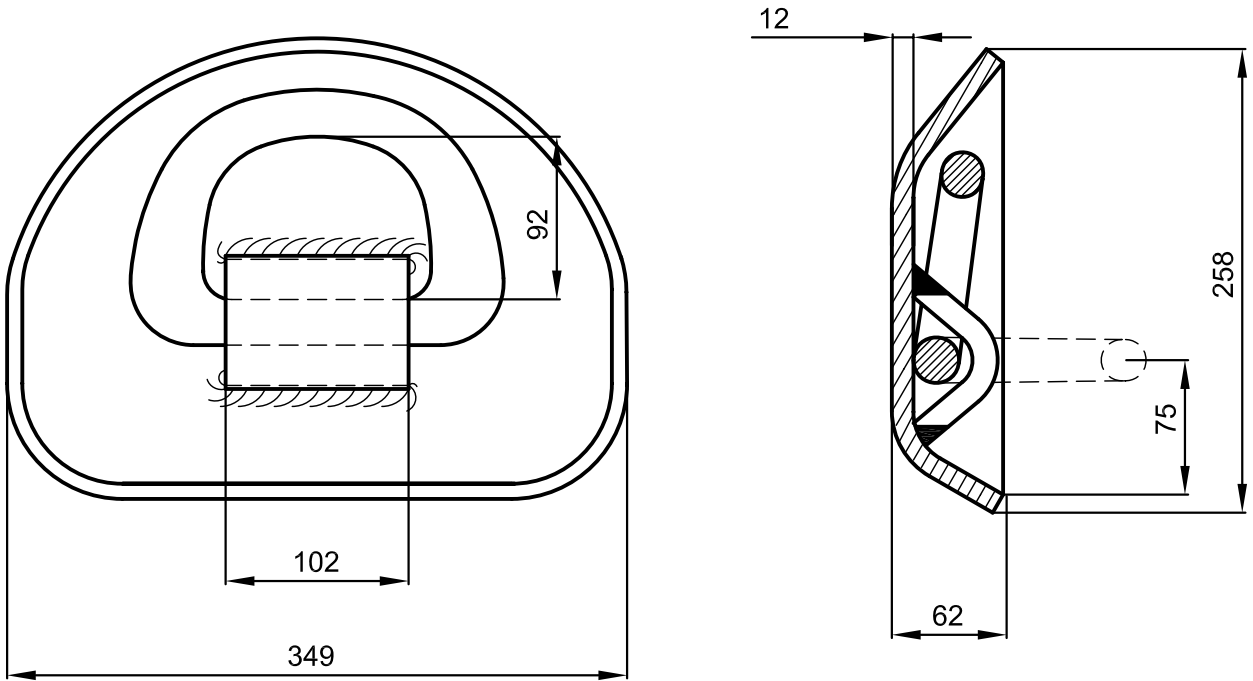


Flush type DR-3



Specifications:

Classification: All items are approved by major classification societies

Materials: Forged & high tensile steel

Finish: Primer

Remark: Other dimensions, materials and finish upon request

MODEL NO.	B.L.	WEIGHT
DR-3	353KN	15.6kg