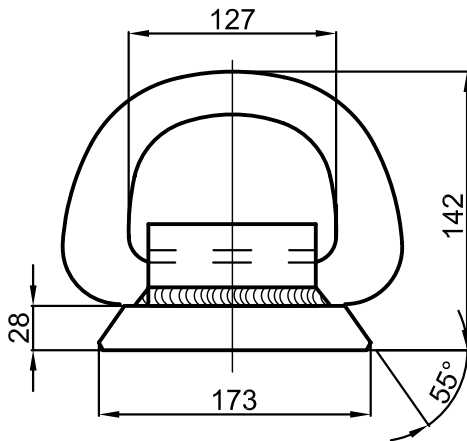
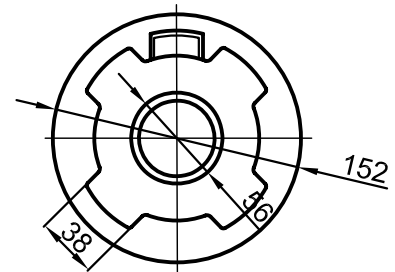
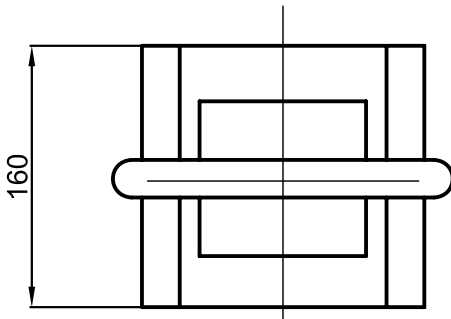
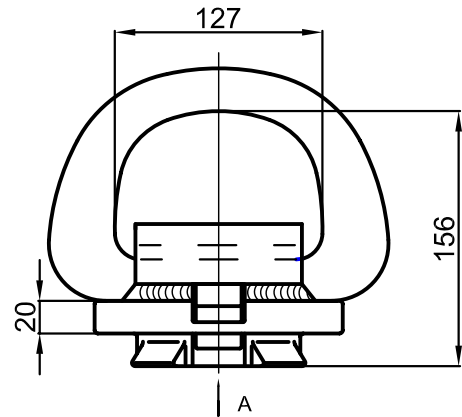


**Sliding type DR-4**



**Breech base type DR-4B**



DIRECTION A

### Specifications:

Classification: All items are approved by major classification societies

Materials: Forged & high tensile steel

Finish: Primer

Remark: Other dimensions, materials and finish upon request

MODEL NO.	B.L.	WEIGHT
DR-4	353KN	8kg
DR-4B		7kg