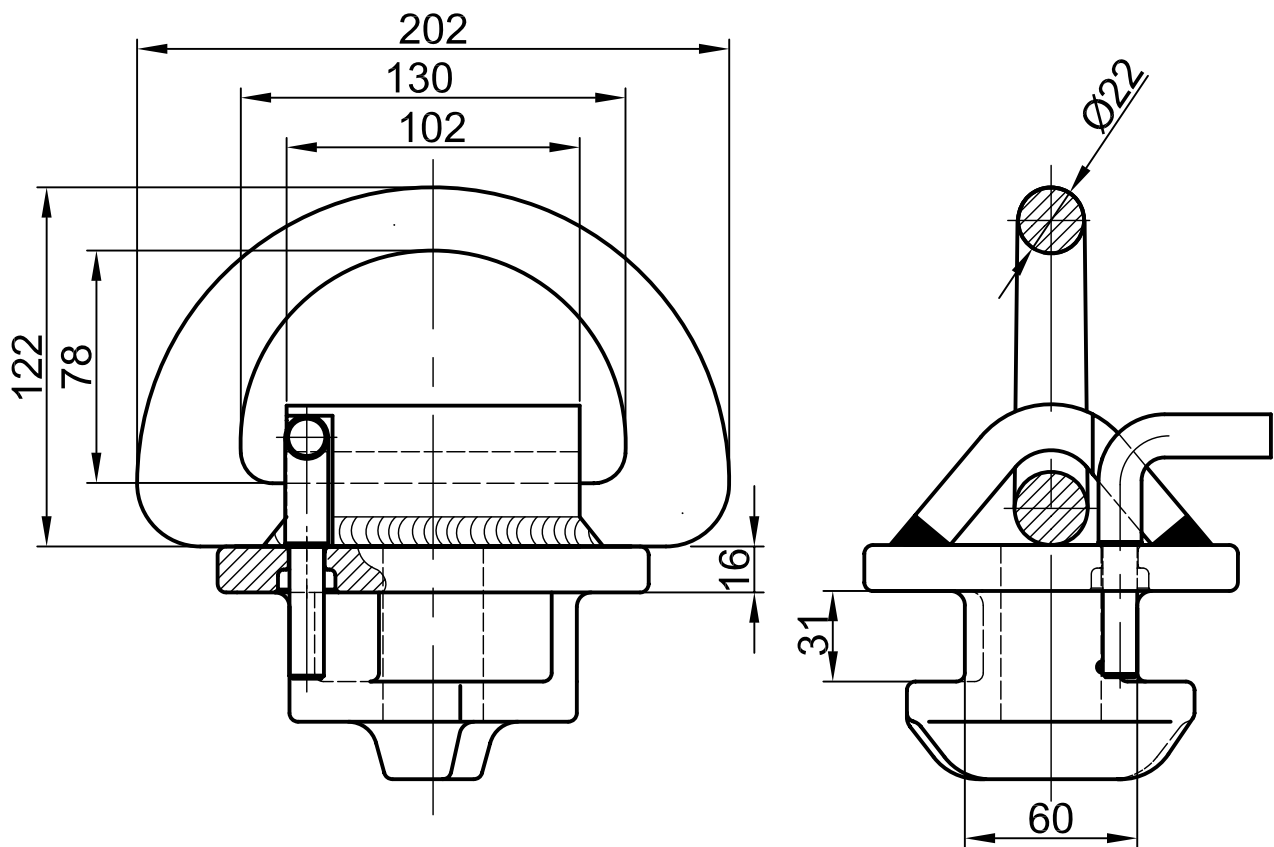


Turn foot type DR-5



Specifications:

Classification: All items are approved by major classification societies

Materials: Forged & high tensile steel

Finish: Painted

Remark: Other dimensions, materials and finish upon request

MODEL NO.	B.L.	WEIGHT
DR-5	353KN	8.5KG