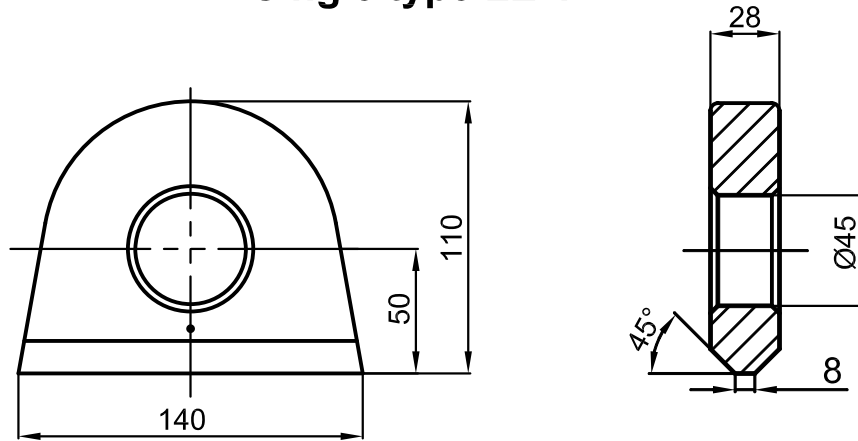
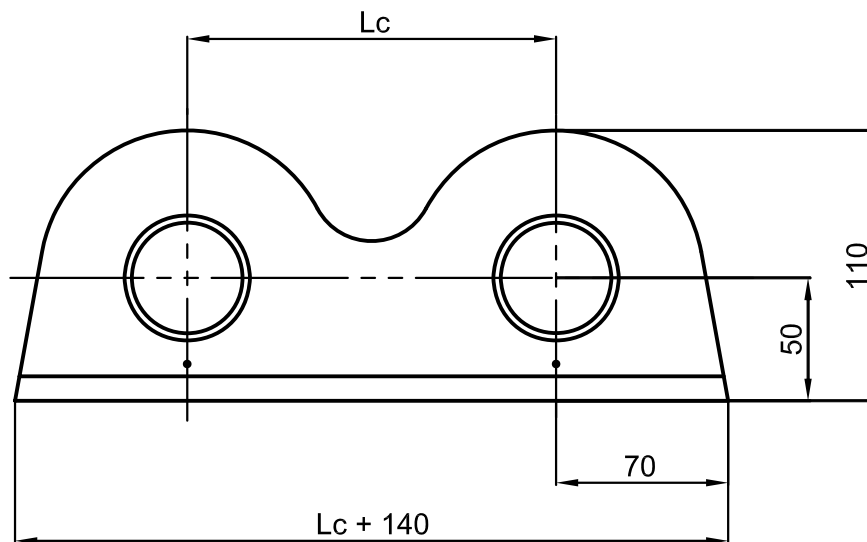


Single type LE-1



Double type LE-2



Specifications:

Classification: All items are approved by major classification societies

Materials: high tensile steel

Finish: Primer

Remark: Other dimensions, materials and finish upon request

MODEL NO.	Lc	B.L.	WEIGHT
LE-1	--	500KN	2.3kg
LE-2(Lc)	150		4kg