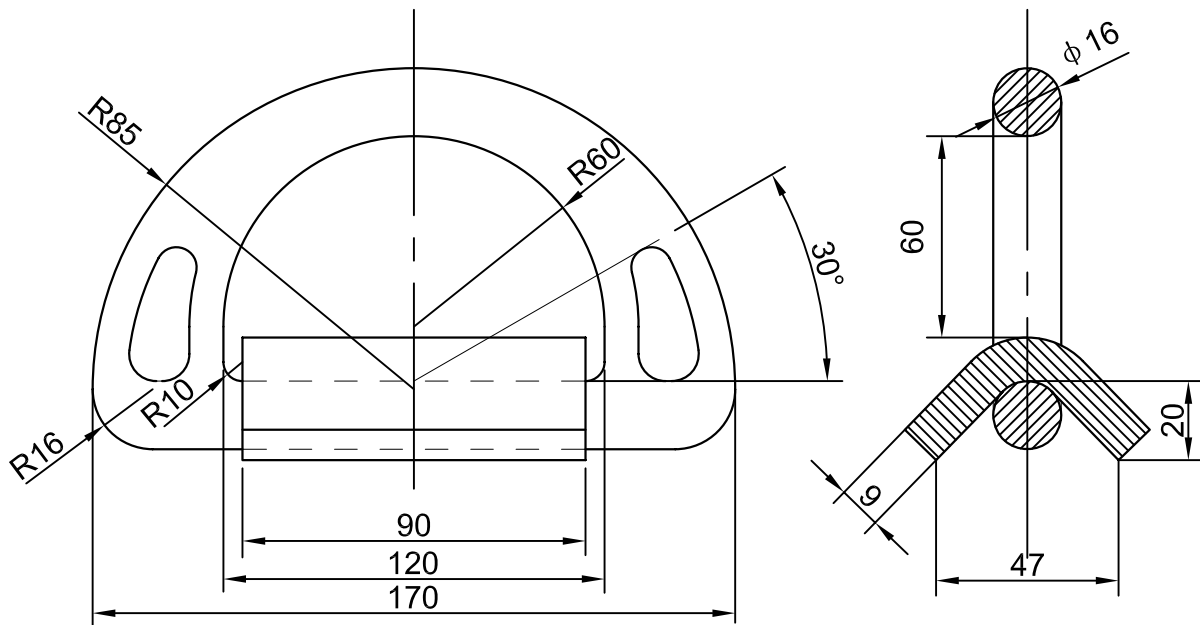


BL 20 Ton Type DR-1/20



Specifications:

Classification: All items are approved by major classification societies

Materials: Forged & high tensile steel

Finish: Hot dip galvanized & painted

Remark: Other dimensions, materials and finish upon request

MODEL NO.	B.L.	WEIGHT
DR-1/20	200KN	1.2KG