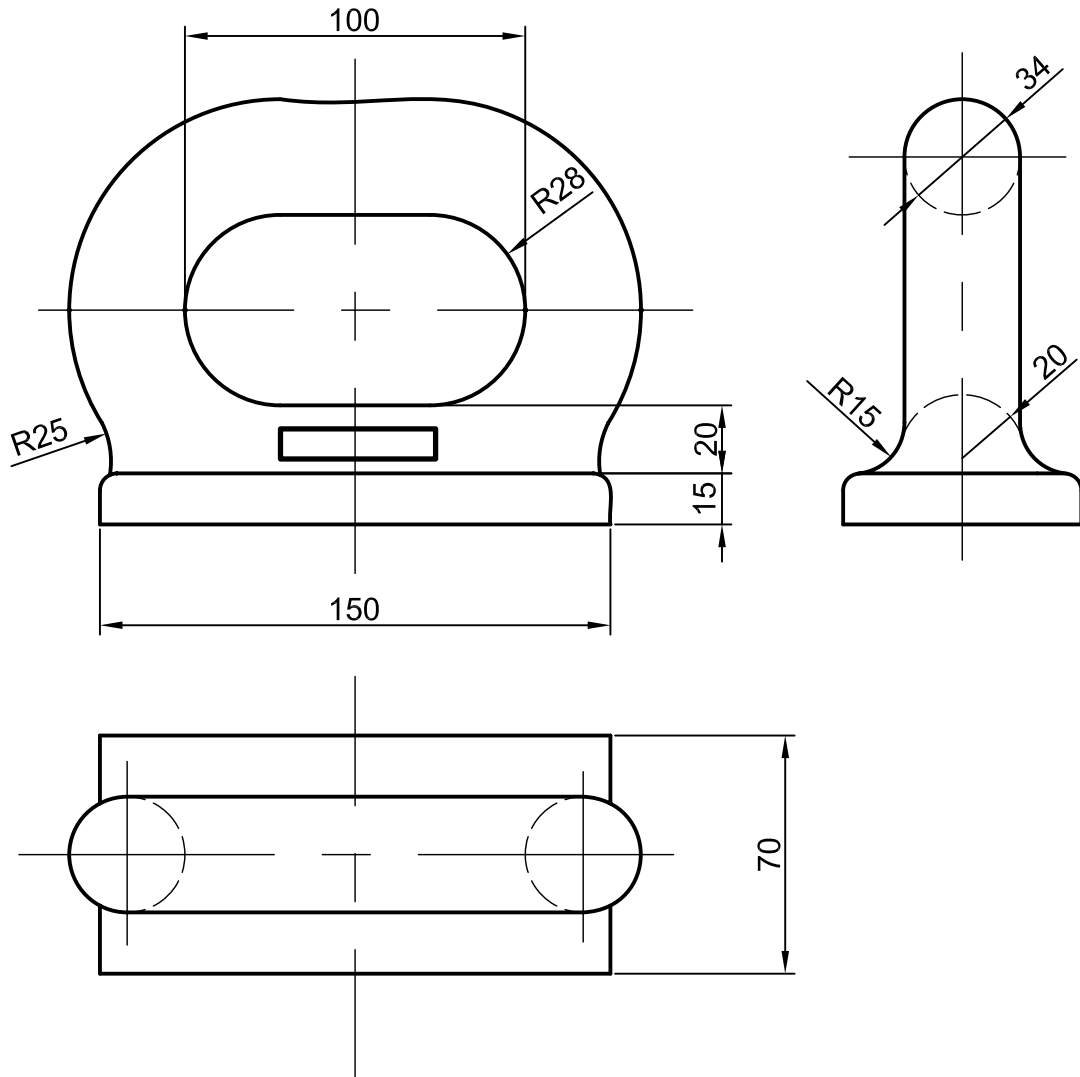


## Single type PE-1



### Specifications:

Classification: All items are approved by major classification societies

Materials: High tensile steel

Finish: Painted

Remark: Other dimensions, materials and finish upon request

MODEL NO.	S.W.L	B.L.	WEIGHT
PE-1	49KN	196kN	3.9KG