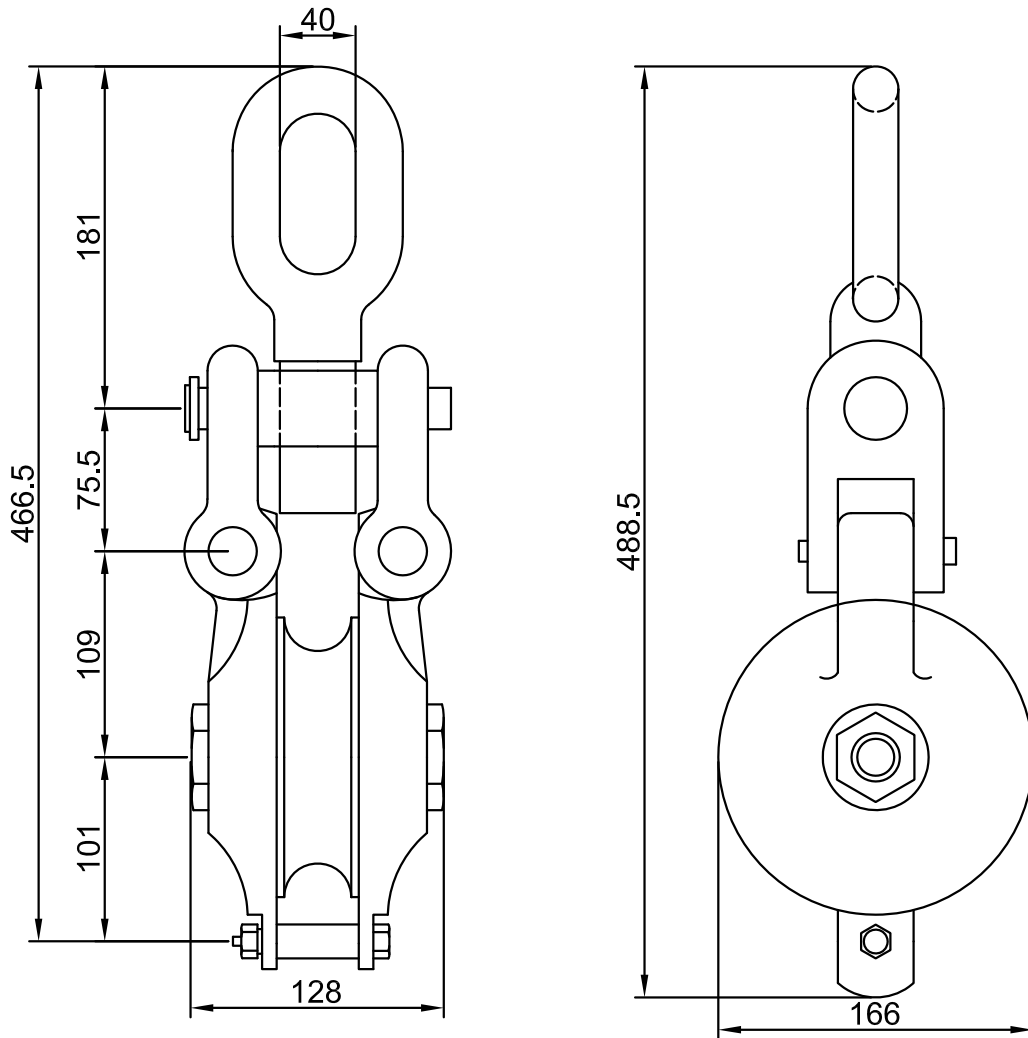


## BS-150



MODEL NO.	S.W.L	P.L	WEIGHT
BS-150	50KN	150KN	12KG