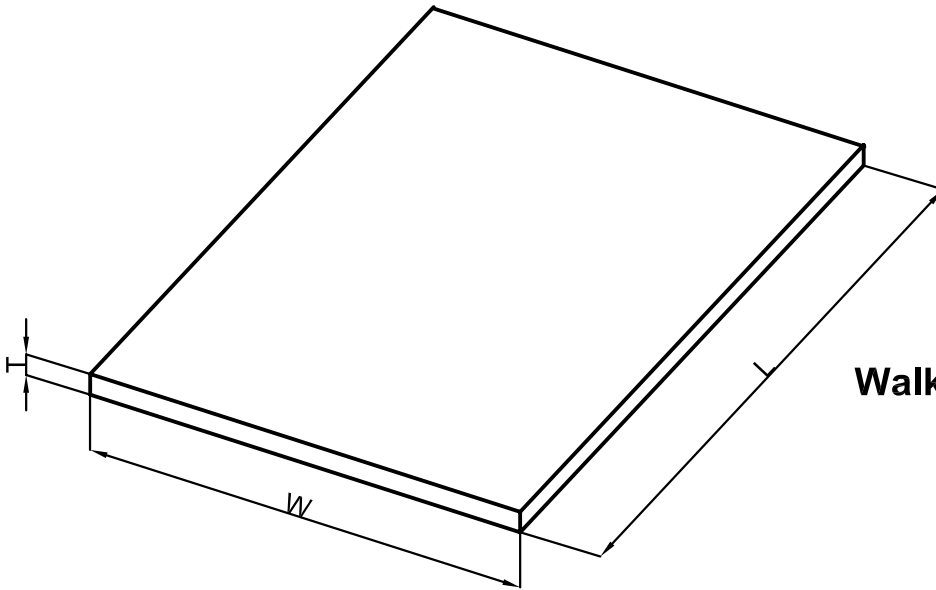


Dunnage Wood type W-1



Walking boards type W-5

Specifications:

Application: For safety stowage of general cargo

Materials: Wood

Remark: Other dimensions and materials upon request

MODEL NO.	L	W	T
W-1 (2400X200X200)	2400mm	200mm	200mm
W-5 (2400X1200X9)	2400mm	1200mm	9mm