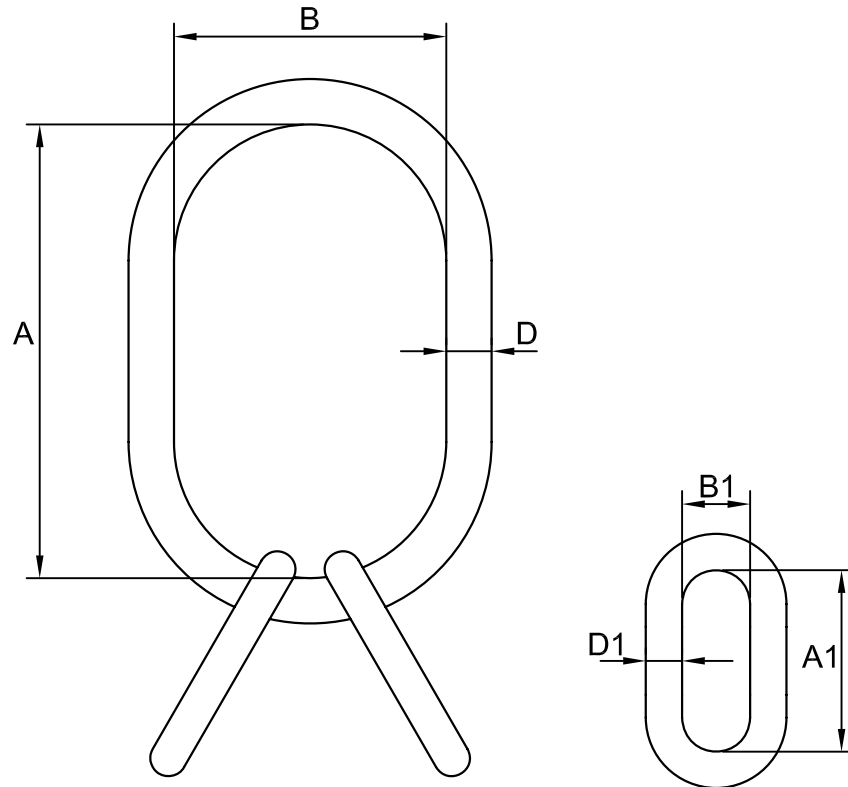


Master Link Assembly



Safety Factor:BL equals 4xSWL

Finish:Painted

Materials:Forged

D(mm)	A(mm)	B(mm)	D1(mm)	A1(mm)	B1(mm)	S.W.L(T)	WEIGHT(KG)
25	140	80	14	60	32	2	0.57
28	160	80	16	65	36	3	1.7
32	180	100	18	80	45	5	1.96
40	220	130	22	100	55	10	4.6
45	280	150	28	110	65	20	12.38
50	350	180	35	120	70	32	21
55	350	180	40	140	80	40	33