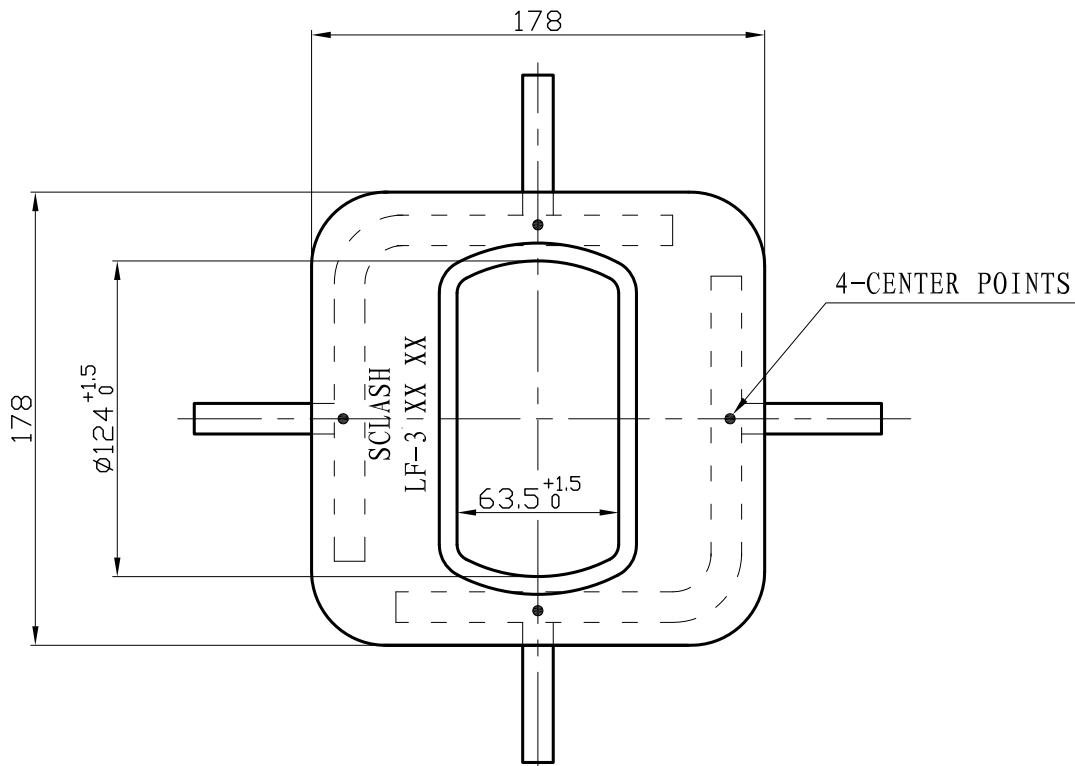


STRENGTH: S. W. L B. L
 250kN 500kN
 FINISH: PRIMER.

TYPE	H	WEIGHT (kg)
LF-3	110	10.4
LF-3/H	H	H ACCORDING TO ORDERS



ITEM	NAME OF PARTS	QTY	MATERIALS	WEIGHT (kg)	REMARKS
Description		LIFTING FOUNDATION			
Date	Drawn by	Checked by	Scale	Edition No.	Page
13/04/2015	Xumin			S	1/1
 Slashing Shanghai Co.,Ltd. Tel:86-21-62324652 E-mail:info@sclashing.com				Model No. LF-3/H	